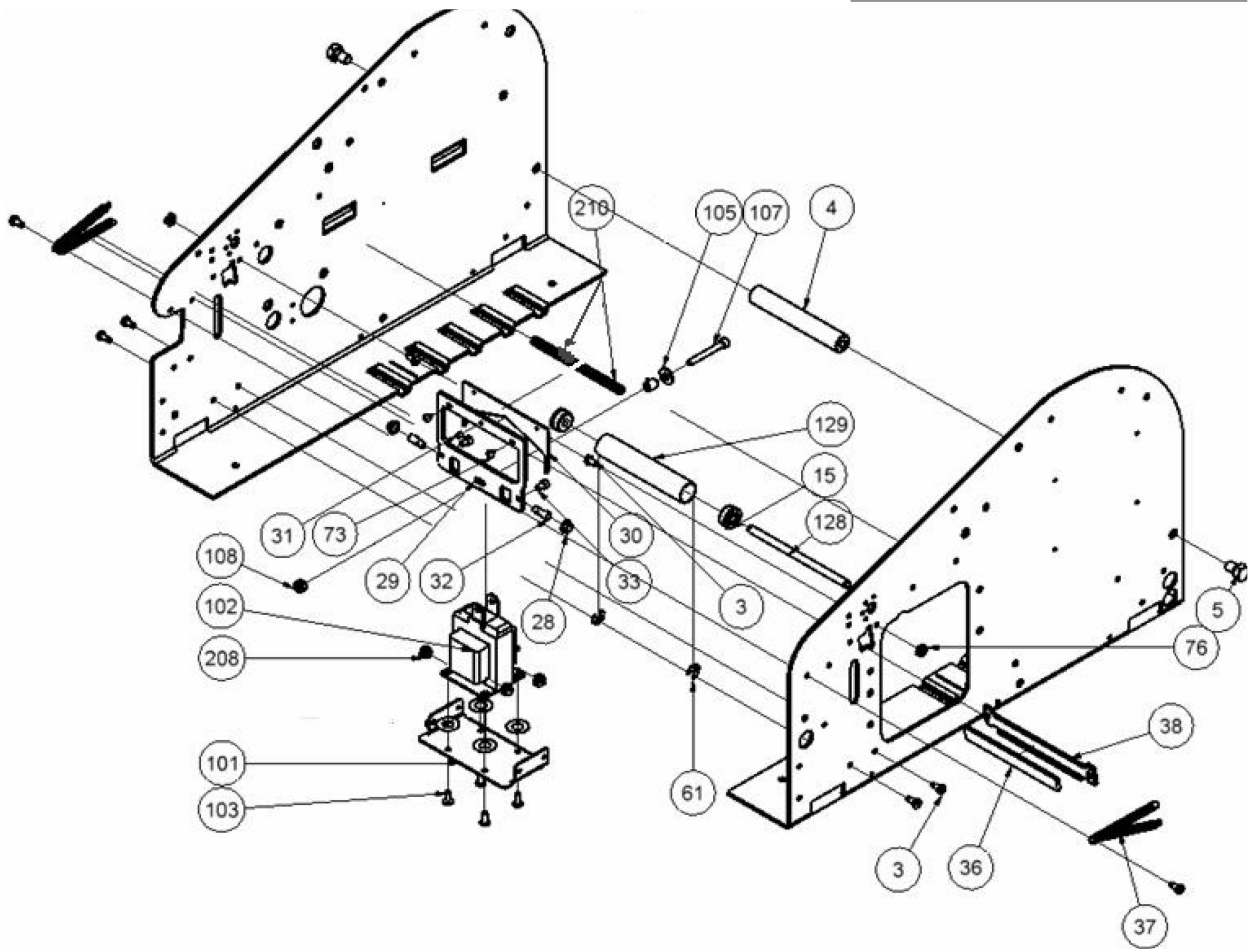


**** Please scroll down for parts list. ****

TD 2100 Electric Drawing #4



Parts List

RP42151	Solenoid Assembly 220V	102	Solenoid, 220V	1
		101	Mounting Shelf	1
		103	Screw	4
		208	Nut	5
		107	Shoulder Bolt w/ Pin	1
		105	Washer	2
		NS	Wires	
		NS	Connections	
		210	Solenoid Spring	2
		NS	Connection Bar	1

Replacement Part Table for
TD 2100 Electric Drawing #4

Replacement Part Number	Description	Item Number	Item Description	Quantity
RP40522	Free Spin Roller Assembly	129	Roller Tube	1
		15	Bearing	2
		128	Shaft	1
		61	E-Clip	2
RP40580	Coder Roller	4	Roller	1
RP40701	Cutter Replacement Kit	29	Cutter Blade Holder	1
		30	Cutter Blade-Movable	1
		36	Fixed Blade	1
		37	Fixed Blade Shoe	2
		38	Spring	2
		31	Set Screw	1
		73	Screw	2
		33	Screw	2
		28	Bushing	2
		32	Cutter Guide	2
RP40710	Cutter Blade-Movable	30	Cutter Blade-Movable	1
		73	Screw	2
		31	Set Screw	1
RP40715	Cutter Blade-Fixed	36	Fixed Blade	1
		38	Extension Spring	4
		NS	Screw	1
		37	Fixed Blade Shoe	1
RP40740	Cutter Springs-Fixed Blade	38	Extension Spring	4
RP42160	Solenoid Spring	210	Solenoid Spring	2
		3	Screw	2
		NS	Spring Clips	2
		76	Nut	3
		105	Washer	2
		NS	Connection Bar	1
		107	Shoulder Bolt w/ Pin	1
RP42150	Solenoid Assembly 110V	102	Solenoid, 110V	1
		101	Mounting Shelf	1
		103	Screw	6
		208	Nut	4
		107	Shoulder Bolt w/ Pin	1
		105	Washer	2
		210	Solenoid Spring	2
		NS	Connection Bar	1
		NS	Wires	
NS	Connections			